



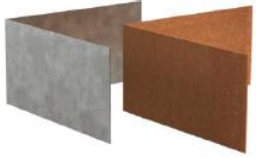
Edging straight
2300 X (H) 100, 150, 290 of 390



Edging put metal
2300 X (H) 100, 150, 290 of 390



Edging flattened
2300 X (H) 100, 150, 290 of 390



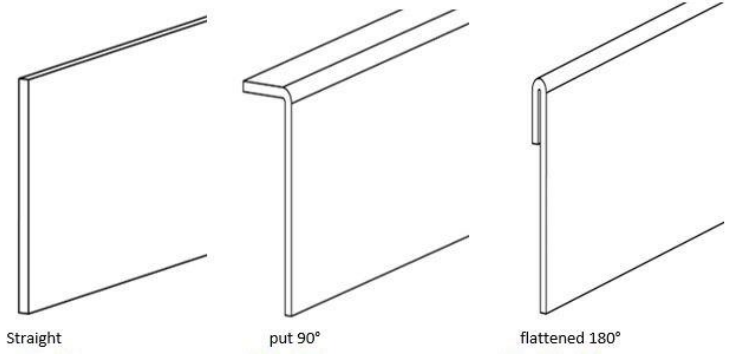
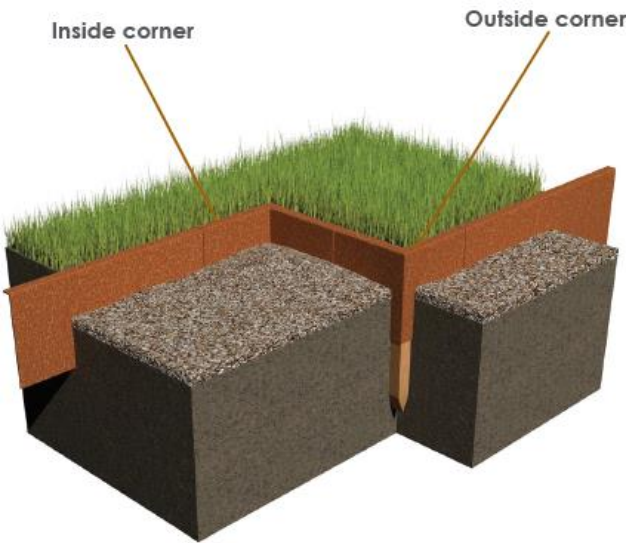
Corner inside or outside straight
300 X 300 (H) 100, 150, 290 of 390



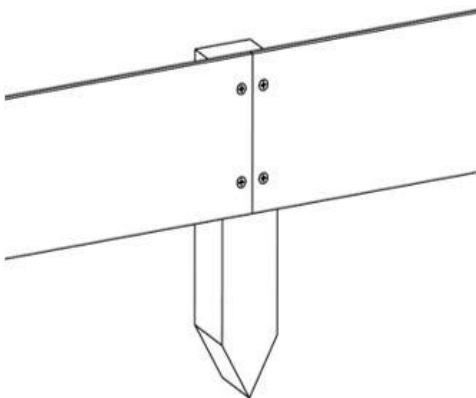
Corner inside or outside put metal
300 X 300 (H) 100, 150, 290 of 390



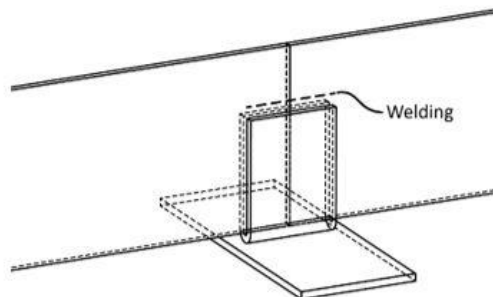
Corner inside or outside flattened
300 X 300 (H) 100, 150, 290 of 390



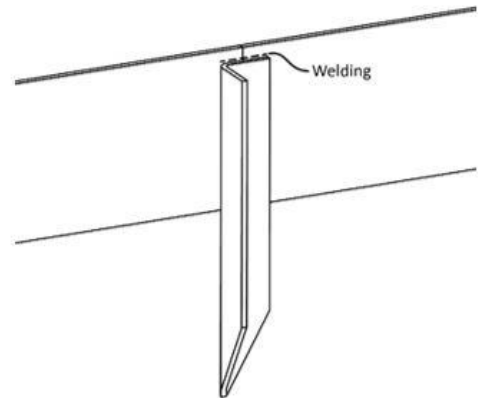
FIXING OPTIONS EDGING



Hardwood Peg



Steel Roof Support



Steel Peg